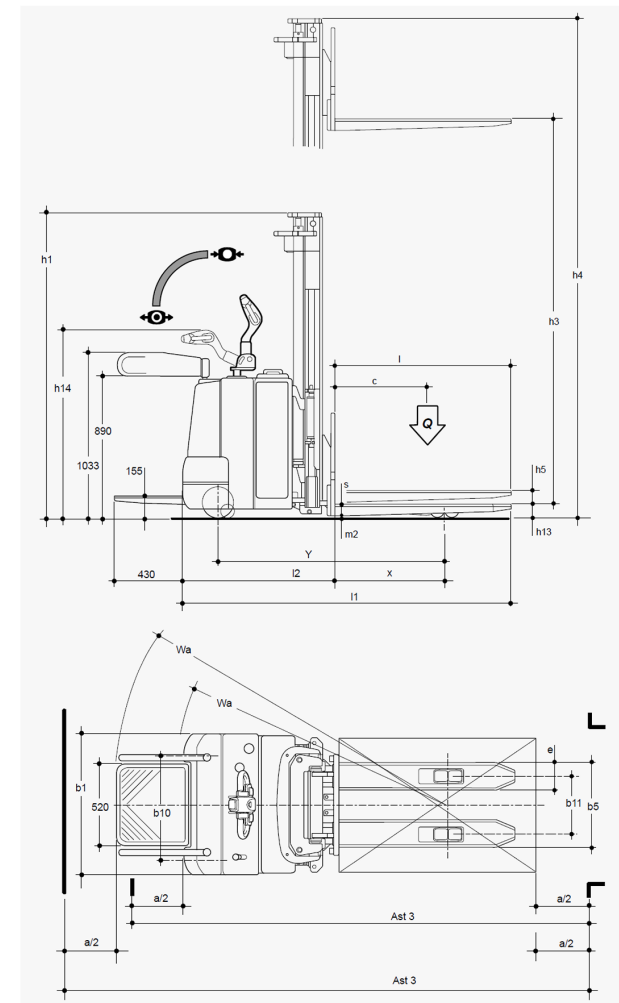


Characteristics		Clark	
1.1	Manufacturer	Clark	
1.2	Manufacturer's model designation	C PSI 15 P	
1.3	Drive : E (electric)	E	
1.4	Type of control : T (tiller) S (steering wheel) A (pedestrian) P (standing) R (seated)	T / A - P	
1.5	Load capacity	Q (t)	1.5
1.6	Load centre distance	c (mm)	600
1.8	Load distance, centre of drive axle to fork	X (mm)	665
1.9	Wheelbase	Y (mm)	1.330
Weights			
2.1	Service weight (battery included)	Kg	1.270
2.2	Axle loading (with load)	front / rear	Kg 1.000 / 1.770
2.3	Axle loading (without load)	front / rear	Kg 848 / 422
Wheels - Chassis			
3.1	Tyres : plt (polyurethane) vlk (vulkollan)	plt	
3.2	Front wheels size	mm	245
3.3	Rear wheels size	mm	85
3.4	Stabilizers wheels dimensions	mm	150
3.5	Wheels : number front / rear (x = traction)	1x + 2 / 4	
3.6	Front track width	b 10	610
3.7	Rear track width	b 11	380
Dimensions			
4.2	Lowered mast height	h1 (mm)	2.130
4.3	Free lift	h5 (mm)	1.560
4.4	Lifting height	h3 (mm)	3.100
4.5	Extended mast height	h4 (mm)	3.700
4.6	Free lift		
4.9	Height of tiller arm in drive position (min / max)	h14 (mm)	1.200 / 1.480
4.15	Forks lowered height	h13 (mm)	90
4.19	Total length	l1 (mm)	2.070 / 2.500
4.20	Length to forks face	l2 (mm)	920 / 1.350
4.21	Overall width	b1 / b2 (mm)	880
4.22	Forks dimensions	s / e / l	70 / 180 / 1.150
4.24	Fork carriage width	b3 (mm)	665
4.25	Width over forks	b5 (mm)	560
4.32	Ground clearance	laden	m2 (mm) 20
4.33	Aisle width for pallets 1000 x 1200 forking side 1200	Ast3 (mm)	
4.34	Aisle width for pallets 800 x 1200 forking side 800	Ast3 (mm) 2.395 / 2.795	
4.35	Turning radius	Wa (mm)	1.660 / 2.060
Performances			
5.1	Travel speed	laden / unladen	Km / h 8.5 / 9.5
5.2	Lifting speed	laden / unladen	m / s 0.12 / 0.18
5.3	Lowering speed	laden / unladen	m / s 0.45 / 0.40
5.7	Gradient performance (S2 30 min)	%	
5.8	Max gradient performance (S2 5 min)	% 6 / 10	
5.10	Service brake M (mechanical) I (hydraulic) IV (inversion braking)	IV	
El.Motor			
6.1	Traction motor, rating S2 60 min	KW	2
6.2	Lifting motor, rating S3 15%	KW	3
6.3	Battery according DIN 43531 / 35 / 36 A, B, C, no	no	
6.4	Battery voltage, nominal capacity K5	V / Ah	24 / 300
6.5	Battery weight (± 5 %)	Kg	200
Others			
8.1	Type of travel control	MOS DC	
8.4	Sound level at driver's ear	dB (A)	< 70
Technical specification according to VDI 2198			DS.032EN.REV.02
All values shown are for standard lift truck with standard equipment. If the truck is supplied with options, values may change. All values given may vary +5% and -10% due to the motor and system tolerances and represent nominal values obtained under typical operating conditions.			



h3		h1	h4	h5	(Q) t
1.650	mm	2.130	2.250	1.560	1.5
2.800	mm	1.980	3.400	1.410	1.5
3.100	mm	2.130	3.700	1.560	1.3
3.600	mm	2.380	4.200	1.810	1.1
4.200	mm	1.980	4.800	1.410	0.8
4.650	mm	2.130	5.250	1.560	0.6